

SMITH BROTHERS
of BERNIE

DESIGN Your Way

5251 LAF End Wedge, 5201 Armless Sofa, 5251 RAF Corner Sofa

5000 Series

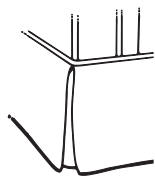




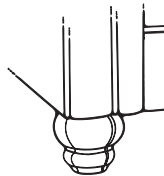
1

CHOOSE YOUR
BASE

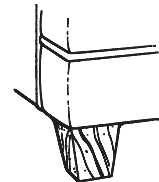
*Skirt option is not available in leather.
 *Ottomans with a skirt are standard with casters.



1 - Skirt*



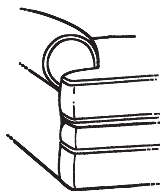
2 - Turned leg



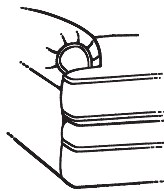
3 - Tapered leg

2

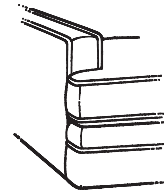
CHOOSE YOUR
ARM



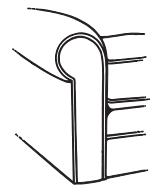
1 - Sock T-Cushion



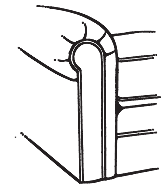
2 - Panel T-Cushion



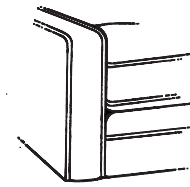
3 - Track T-Cushion



5 - Sock Straight Cushion



6 - Panel Straight Cushion

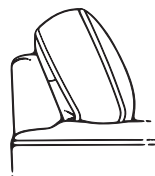


7 - Track Straight Cushion

3

CHOOSE YOUR
BACK

*Loose Pillow Back options incur an additional charge.



1 - Semi-Attached



2 - Loose Pillow*

WRITE YOUR
ORDER

5 **1** **2** **3** — ITEM #
 BASE ARM BACK

For pieces where a style code does not apply (such as arm styles on armless pieces), enter "0" in that position. For example, an Ottoman SKU (item #40) with a skirt would be written as 5100-40. Only the Base Style Code and the Item Number are needed because Arms and Backs do not apply in this case.

Examples

Standard Pillows
Style #13, 20" pillows with welt cord



5322-11 Mid-Size Sofa, Tapered Leg, Panel Arm with T-Cushion, Loose Pillow Back standard with one pair style #13, 20" pillows



5261-12 Conversation Sofa, Turned Leg, Panel Arm with Straight Cushion, Semi-Attached Back standard with one pair style #13, 20" pillows



5371-10 Leather Sofa, Tapered Leg, Track Arm with Straight Cushion, Semi-Attached Back



5311-31 Chair 1/2, Tapered Leg, Sock Arm with T-Cushion, Semi-Attached Back, standard with one style #13, 20" pillow



5212-43 Chaise* Turned Leg, Sock Arm with T-Cushion, Loose Pillow Back



5100-51 Angular Ottoman with Skirt (standard with casters)



5301-64 LF Bump Chaise
5301-32 Corner Chair
5331-15 RAF Sofa
Tapered Leg, Track Arm with T-Cushion,
Semi-Attached Back
Standard with two pair style
#13, 20" pillows

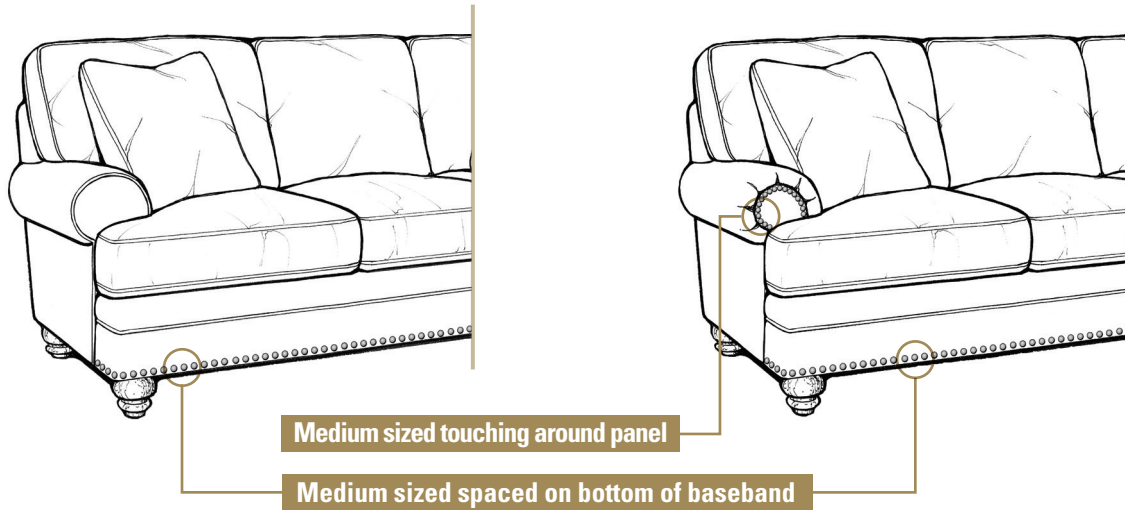


5351-21 LAF Corner Sofa
5301-16 Armless Sofa
5351-55 RAF End Wedge* Tapered Leg, Sock Arm
with Straight Cushion, Semi-Attached Back
Standard with two pair style #13, 20" pillows

*Note: End Wedges and all Chaises will always feature T-Cushions, even when ordered with Straight Cushion Arms (5, 6, and 7).
For more detailed information go to: www.smithbrothersfurniture.com

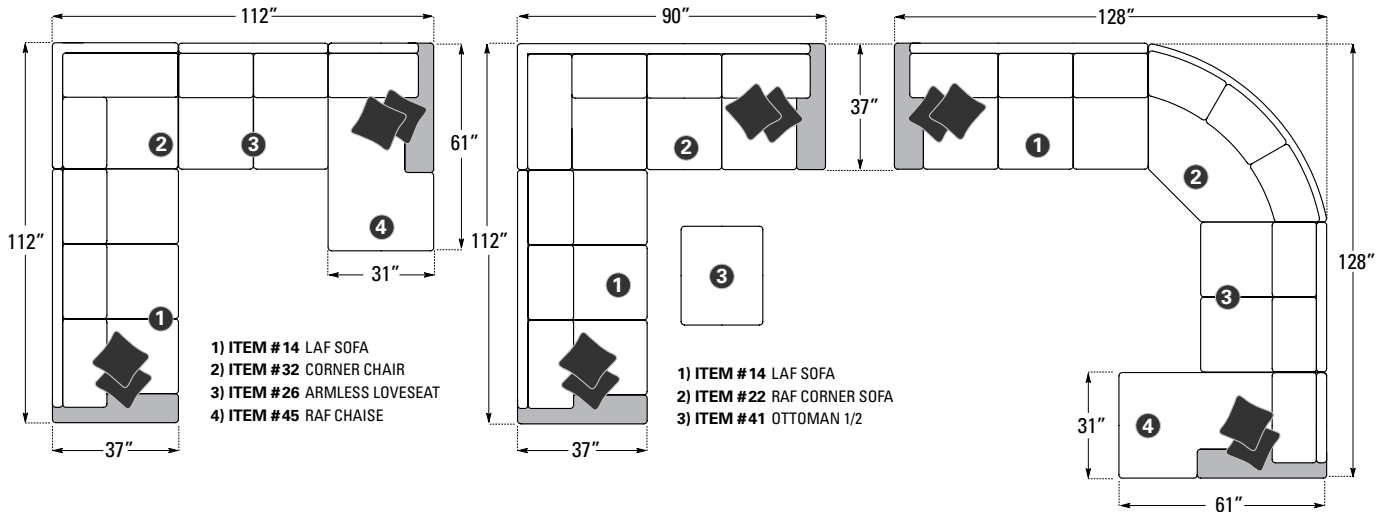
NAILHEAD OPTIONS

The 5000 series is not standard with nailhead, however it is an option. If nailhead is selected, it will be applied in the format shown below. Nailhead will be applied to the bottom of the baseband, as long as there is no skirt. It may be applied to the Panel Arm only, as the other arms cannot accept nailhead.



SAMPLE CONFIGURATIONS

SAMPLE CONFIGURATION DIMENSIONS REPRESENT PANEL AND SOCK ARMS WITH SEMI-ATTACHED BACKS (SEE BELOW FOR EXCEPTIONS). Diagrams below are not to scale. All dimensions are approximate.



- 1) ITEM #14 LAF SOFA
- 2) ITEM #32 CORNER CHAIR
- 3) ITEM #26 ARMLESS LOVESEAT
- 4) ITEM #45 RAF CHAISE

- 1) ITEM #14 LAF SOFA
- 2) ITEM #22 RAF CORNER SOFA
- 3) ITEM #41 OTTOMAN 1/2

- 1) ITEM #14 LAF SOFA
- 2) ITEM #53 WEDGE
- 3) ITEM #26 ARMLESS LOVESEAT
- 4) ITEM #45 RAF CHAISE

COMMON DIMENSIONS (unless otherwise noted)

OVERALL HEIGHT (exceptions below)	38"
OVERALL DEPTH (exceptions below)	37"
SEAT HEIGHT	20"
SEAT DEPTH (exceptions on back)	21"
ARM HEIGHT	24"

EXCEPTIONS (for loose pillow back option)

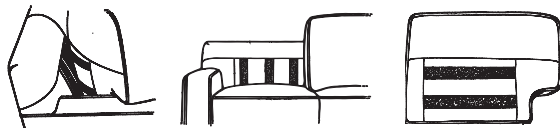
L/RAF CORNER SOFA (loose pillow back) OVERALL LENGTH	91"
CORNER CHAIR (loose pillow back) OVERALL LENGTH	38"
CONVERSATION SOFA (loose pillow back) LENGTH	106"
WEDGE (loose pillow back) DIAGONAL LENGTH	74"

EXCEPTIONS

TRACK ARM: Subtract 2" PER ARM from overall frame length. Inside length does not change.

LOOSE PILLOW BACK: Add 1" to overall depth and overall height for pieces with loose pillow backs. Seat depth does not change.

VELCRO



Leather styles feature velcro on the back side of the loose pillow backs. This method keeps the back cushions in place, as leather has a tendency to be slippery, causing them to slide down over the seat cushion.

5000 SERIES | AVAILABLE PIECES

Website Version - Not to Scale
 PILLOWS ARE NOT STANDARD ON LEATHER.

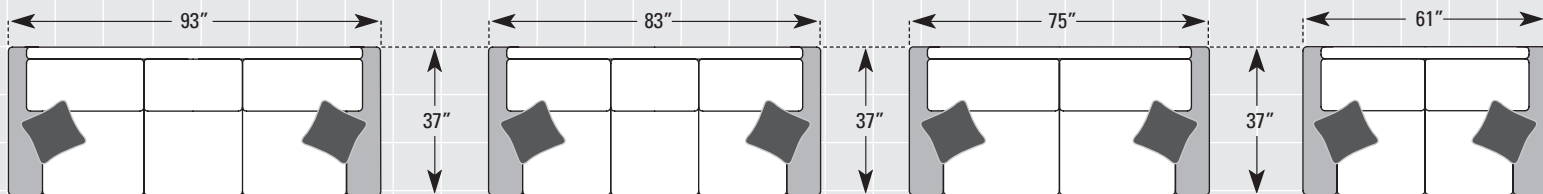
EXCEPTIONS

TRACK ARM: Subtract 2" PER ARM from overall frame length. Inside length does not change.

LOOSE PILLOW BACK: Add 1" to overall depth and overall height for pieces with loose pillow backs. Seat depth does not change.

See inside for additional dimensions. All dimensions are approximate. See www.smithbrothersfurniture.com for more detailed dimensions.

LAF = Left Arm Facing, RAF = Right Arm Facing

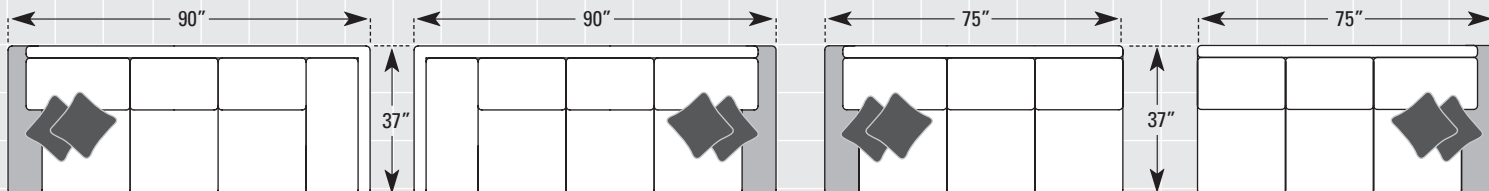


ITEM #13 LARGE SOFA
 INSIDE LENGTH: 76"

ITEM #10 SOFA
 INSIDE LENGTH: 66"

ITEM #11 MID-SIZE SOFA
 INSIDE LENGTH: 58"

ITEM #20 LOVESEAT
 INSIDE LENGTH: 44"

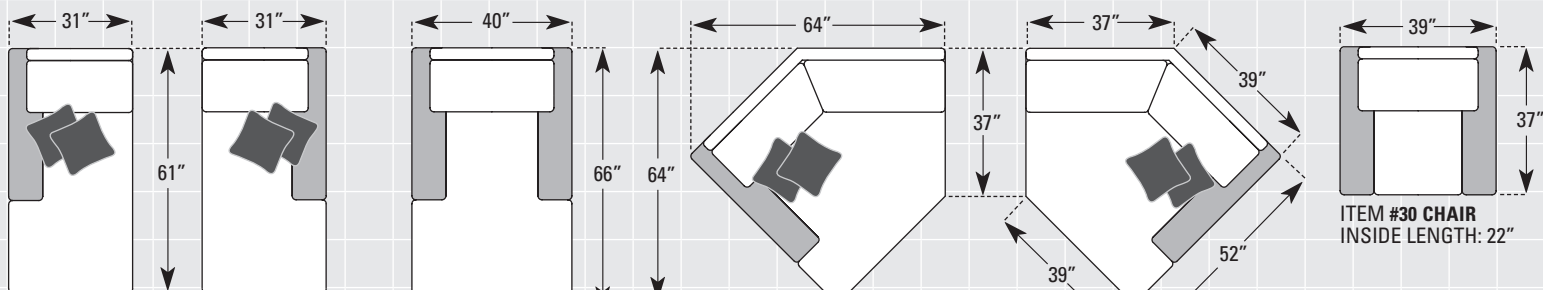


ITEM #21 LAF CORNER SOFA
 INSIDE LENGTH: 65"

ITEM #22 RAF CORNER SOFA
 INSIDE LENGTH: 65"

ITEM #14 LAF SOFA
 INSIDE LENGTH: 66"

ITEM #15 RAF SOFA
 INSIDE LENGTH: 66"



ITEM #44 LAF CHAISE
 INSIDE LENGTH: 22"
 SEAT DEPTH: 45"

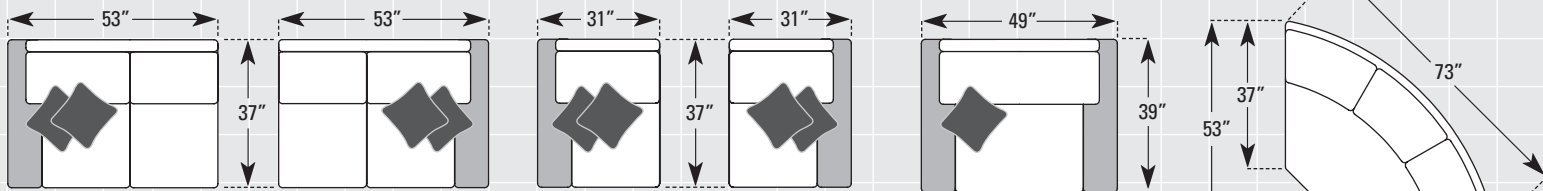
ITEM #45 RAF CHAISE
 INSIDE LENGTH: 22"
 SEAT DEPTH: 45"

ITEM #43 CHAISE
 INSIDE LENGTH: 23"
 SEAT DEPTH: 50"

ITEM #54 LAF END WEDGE
 SEAT DEPTH: 37"

ITEM #55 RAF END WEDGE
 SEAT DEPTH: 37"

ITEM #30 CHAIR
 INSIDE LENGTH: 22"



ITEM #24 LAF LOVESEAT
 INSIDE LENGTH: 44"

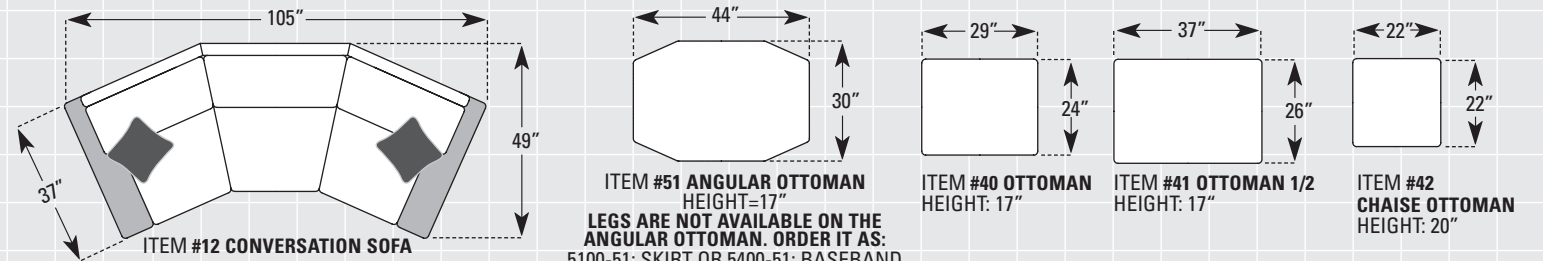
ITEM #25 RAF LOVESEAT
 INSIDE LENGTH: 44"

ITEM #34 LAF CHAIR
 INSIDE LENGTH: 22"

ITEM #35 RAF CHAIR
 INSIDE LENGTH: 22"

ITEM #31 CHAIR 1/2
 INSIDE LENGTH: 32"
 SEAT DEPTH: 23"

ITEM #53 WEDGE



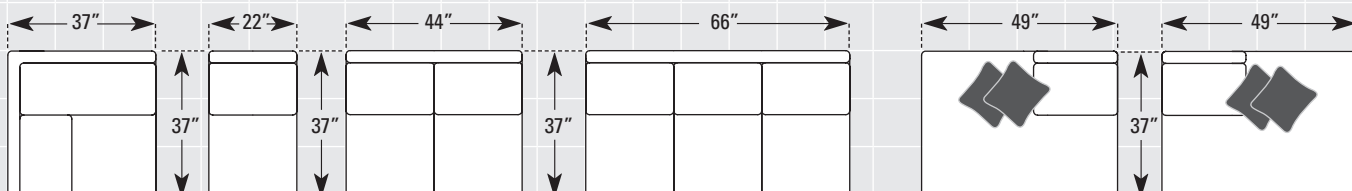
ITEM #12 CONVERSATION SOFA
 INSIDE LENGTH: 78"

ITEM #51 ANGULAR OTTOMAN
 HEIGHT=17"
 LEGS ARE NOT AVAILABLE ON THE
 ANGULAR OTTOMAN. ORDER IT AS:
 5100-51: SKIRT OR 5400-51: BASEBAND
 (BOTH ARE STANDARD WITH CASTERS)

ITEM #40 OTTOMAN
 HEIGHT: 17"

ITEM #41 OTTOMAN 1/2
 HEIGHT: 17"

ITEM #42
 CHAISE OTTOMAN
 HEIGHT: 20"



ITEM #32
 CORNER CHAIR
 INSIDE LENGTH: 21"

ITEM #36
 ARMLESS
 CHAIR

ITEM #26
 ARMLESS LOVESEAT

ITEM #16
 ARMLESS SOFA

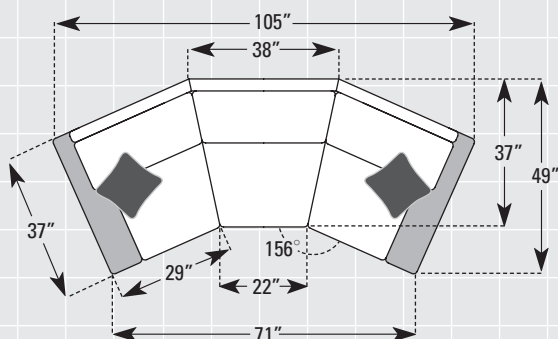
ITEM #64
 LF BUMP CHAISE

ITEM #65
 RF BUMP CHAISE

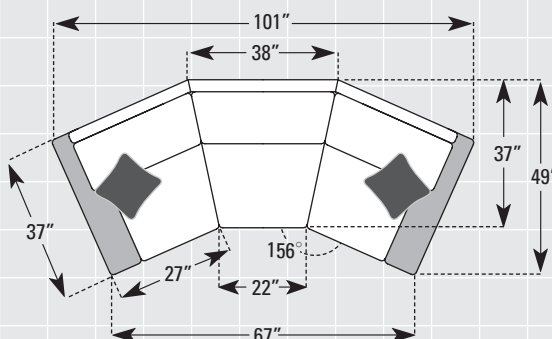
5000 SERIES | 5xxx-12 Conversation Sofa

WEB VERSION: DIAGRAMS ARE NOT TO SCALE
ALL DIMENSIONS ARE APPROXIMATE

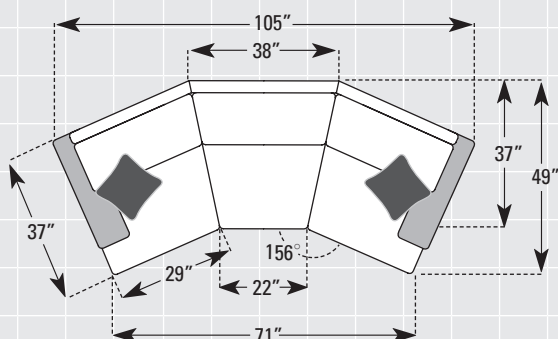
WRITE YOUR ORDER **5** **1** **2** **3** - ITEM #
BASE ARM BACK



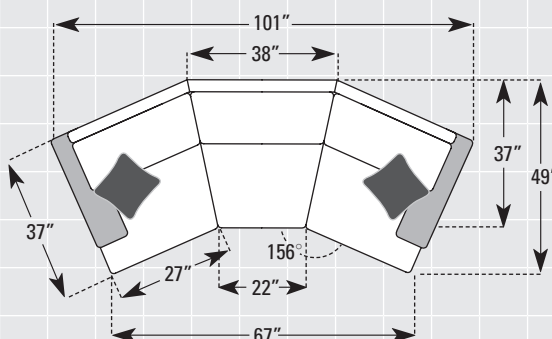
5x51-12/5x61-12 CONVERSATION SOFA
SOCK ARM/PANEL ARM
STRAIGHT CUSHION, SEMI-ATTACHED BACK
OVERALL HEIGHT: 38"



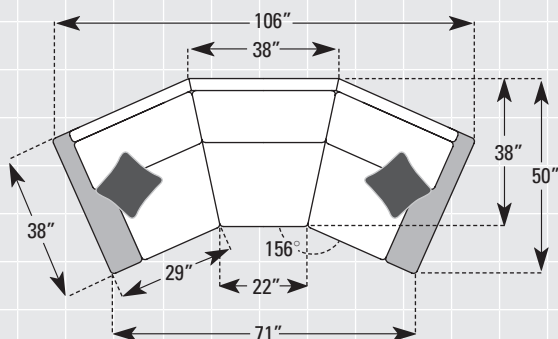
5x71-12 CONVERSATION SOFA
TRACK ARM
STRAIGHT CUSHION, SEMI-ATTACHED BACK
OVERALL HEIGHT: 38"



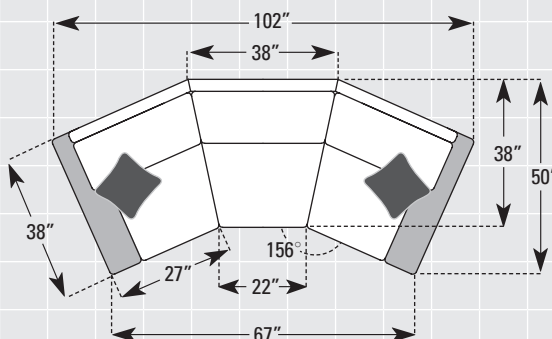
5x51-12/5x61-12 CONVERSATION SOFA
SOCK ARM/PANEL ARM
T-CUSHION, SEMI-ATTACHED BACK
OVERALL HEIGHT: 38"



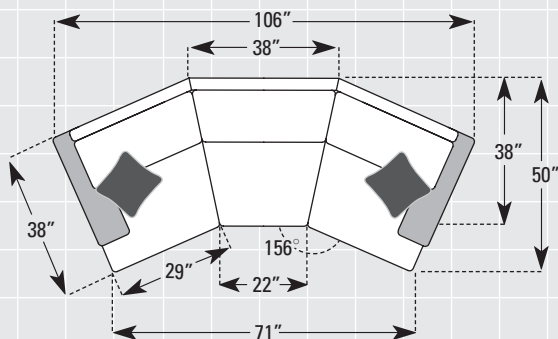
5x31-12 CONVERSATION SOFA
TRACK ARM
T-CUSHION, SEMI-ATTACHED BACK
OVERALL HEIGHT: 38"



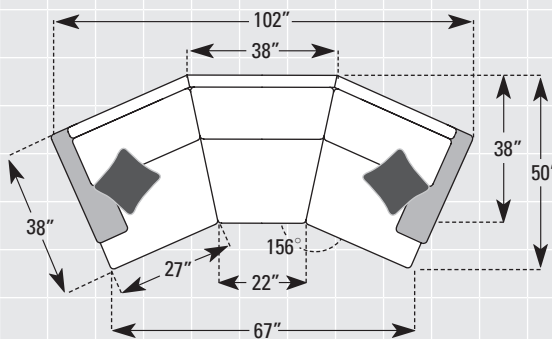
5x52-12/5x61-12 CONVERSATION SOFA
SOCK ARM/PANEL ARM
STRAIGHT CUSHION, LOOSE PILLOW BACK
OVERALL HEIGHT: 39"



5x72-12 CONVERSATION SOFA
TRACK ARM
STRAIGHT CUSHION, LOOSE PILLOW BACK
OVERALL HEIGHT: 39"



5x52-12/5x61-12 CONVERSATION SOFA
SOCK ARM/PANEL ARM
T-CUSHION, LOOSE PILLOW BACK
OVERALL HEIGHT: 39"

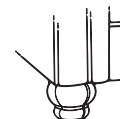


5x32-12 CONVERSATION SOFA
TRACK ARM
T-CUSHION, LOOSE PILLOW BACK
OVERALL HEIGHT: 39"

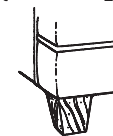
1 CHOOSE YOUR **BASE**



1 - Skirt*



2 - Turned leg



3 - Tapered leg

2 CHOOSE YOUR **ARM**



1 - Sock
T-Cushion



5 - Sock
Straight Cushion



2 - Panel
T-Cushion



6 - Panel
Straight Cushion

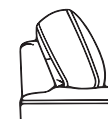


3 - Track
T-Cushion



7 - Track
Straight Cushion

3 CHOOSE YOUR **BACK**



1 - Semi-Attached



2 - Loose Pillow*

COMMON DIMENSIONS:

SEAT HEIGHT.....20"
ARM HEIGHT.....24"
SEAT DEPTH.....21"

Fabric sofas come standard with one pair of 20" style #13 pillows. Leather is not standard with pillows. Please refer to the price list for details.



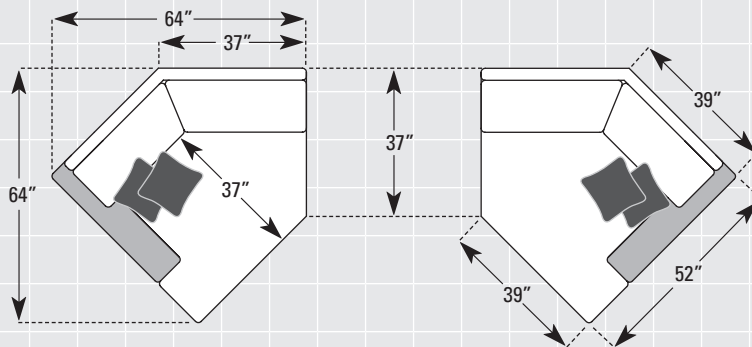
NOTE: Style code examples with an x represent the possibility for multiple choices in the style codes shown. For example, base choices do not affect dimensions and are represented with an x in the diagram 5x32-12.

For more information, visit www.smithbrothersfurniture.com.

5000 SERIES | 5xxx-54/55 End Wedge

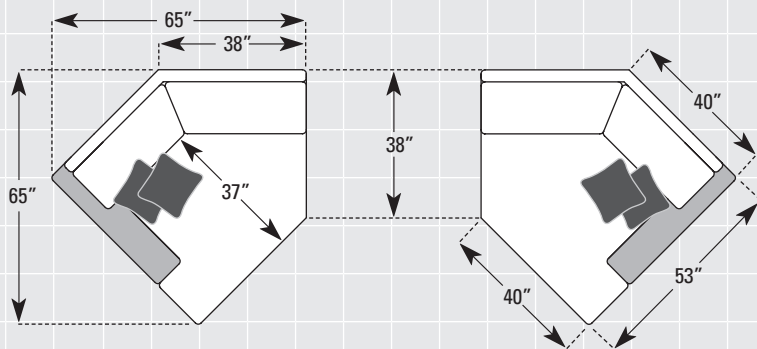
WEB VERSION: DIAGRAMS ARE NOT TO SCALE
ALL DIMENSIONS ARE APPROXIMATE

LAF = Left Arm Facing
RAF = Right Arm Facing



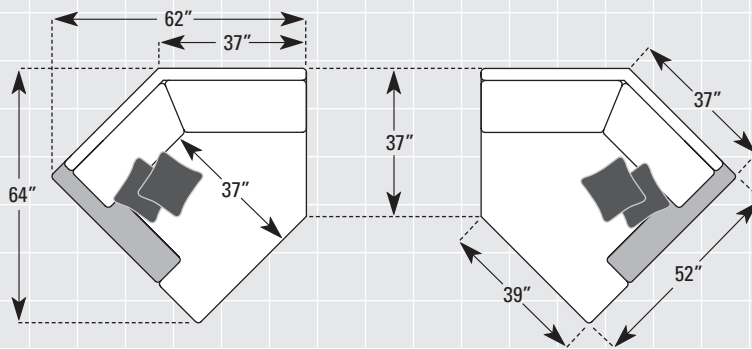
5x1-54 LAF END WEDGE
SOCK ARM (5x11-54, 5x51-54)
PANEL ARM (5x21-54, 5x61-54)
STRAIGHT/T-CUSHION, SEMI-ATTACHED BACK
OVERALL HEIGHT: 38" SEAT DEPTH: 37"

5x1-55 RAF END WEDGE
SOCK ARM (5x11-55, 5x51-55)
PANEL ARM (5x21-55, 5x61-55)
STRAIGHT/T-CUSHION, SEMI-ATTACHED BACK
OVERALL HEIGHT: 38" SEAT DEPTH: 37"



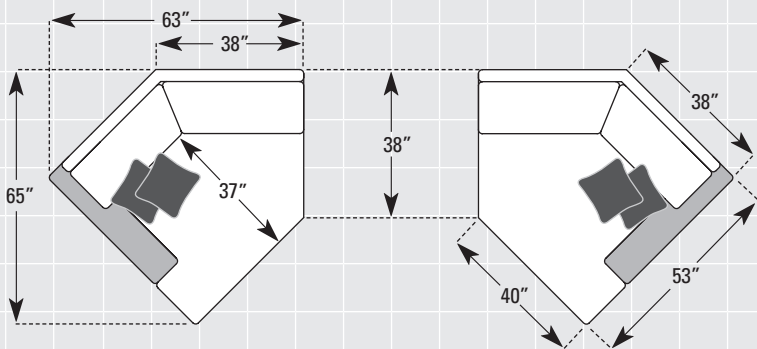
5x2-54 LAF END WEDGE
SOCK ARM (5x12-54, 5x52-54)
PANEL ARM (5x22-54, 5x62-54)
STRAIGHT/T-CUSHION, LOOSE PILLOW BACK
OVERALL HEIGHT: 39" SEAT DEPTH: 37"

5x2-55 RAF END WEDGE
SOCK ARM (5x12-55, 5x52-55)
PANEL ARM (5x22-55, 5x62-55)
STRAIGHT/T-CUSHION, LOOSE PILLOW BACK
OVERALL HEIGHT: 39" SEAT DEPTH: 37"



5x31-54/5x71-54 LAF END WEDGE
TRACK ARM
STRAIGHT/T-CUSHION, SEMI-ATTACHED BACK
OVERALL HEIGHT: 38" SEAT DEPTH: 37"

5x31-55/5x71-55 RAF END WEDGE
TRACK ARM
STRAIGHT/T-CUSHION, SEMI-ATTACHED BACK
OVERALL HEIGHT: 38" SEAT DEPTH: 37"

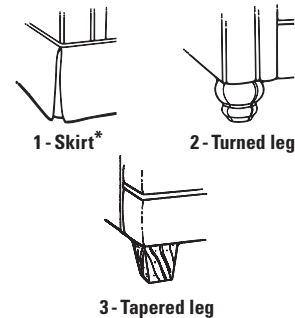


5x32-54/5x72-54 LAF END WEDGE
TRACK ARM
STRAIGHT/T-CUSHION, LOOSE PILLOW BACK
OVERALL HEIGHT: 39" SEAT DEPTH: 37"

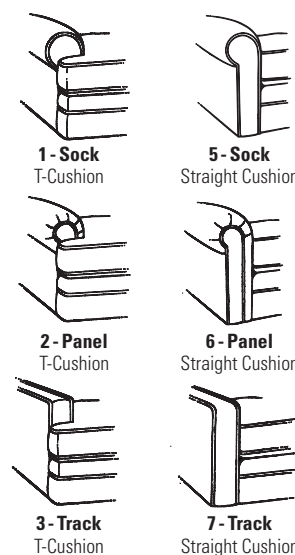
5x32-55/5x72-55 RAF END WEDGE
TRACK ARM
STRAIGHT/T-CUSHION, LOOSE PILLOW BACK
OVERALL HEIGHT: 39" SEAT DEPTH: 37"

WRITE YOUR ORDER 5 ① ② ③ - ITEM #
BASE ARM BACK

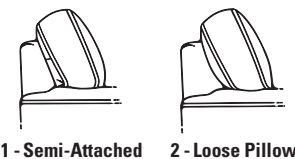
1 CHOOSE YOUR BASE



2 CHOOSE YOUR ARM



3 CHOOSE YOUR BACK



COMMON DIMENSIONS:

SEAT HEIGHT.....20"
ARM HEIGHT.....24"
SEAT DEPTH.....21"



Fabric sofas come standard with one pair of 20" style #13 pillows. Leather is not standard with pillows. Please refer to the price list for details.

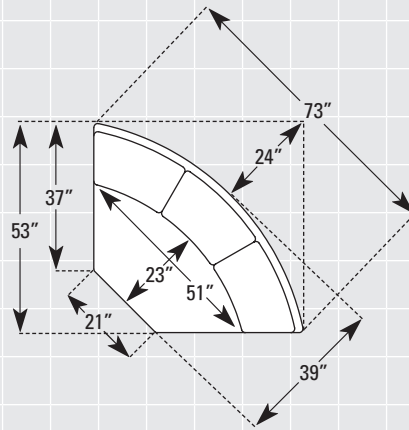
NOTE: Style code examples with an x represent the possibility for multiple choices in the style codes shown. For example, base choices do not affect dimensions and are represented with an x in the diagram 5x32-55. End wedges will always feature T-cushions, even when ordered with straight cushion arms.

For more information, visit www.smithbrothersfurniture.com.

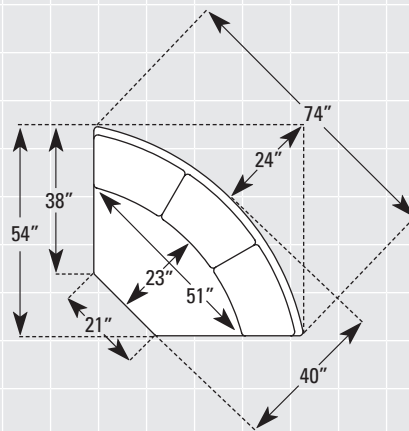
5000 SERIES | 5xxx-53 Wedge

WEB VERSION: DIAGRAMS ARE NOT TO SCALE
ALL DIMENSIONS ARE APPROXIMATE

WRITE YOUR ORDER **5** **1** **2** **3** - ITEM #
BASE ARM BACK

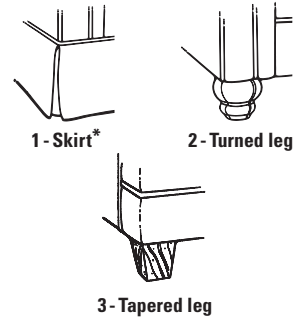


5xx1-53 SEMI-ATTACHED BACK WEDGE
SOCK ARM (5x11-53, 5x51-53)
PANEL ARM (5x21-53, 5x61-53)
TRACK ARM (5x31-53, 5x71-53)
STRAIGHT/T-CUSHION
OVERALL HEIGHT: 38"

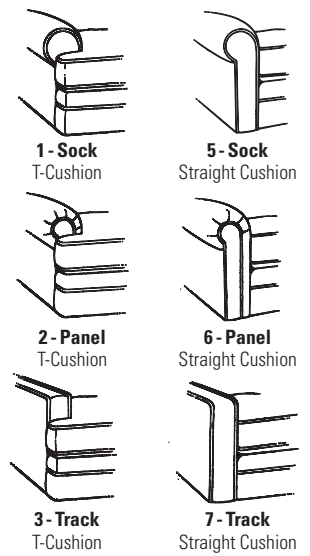


5xx2-53 LOOSE PILLOW BACK WEDGE
SOCK ARM (5x12-53, 5x52-53)
PANEL ARM (5x22-53, 5x62-53)
TRACK ARM (5x32-53, 5x72-53)
STRAIGHT/T-CUSHION
OVERALL HEIGHT: 39"

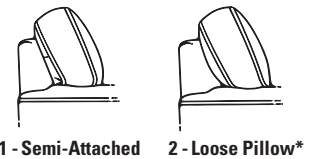
1 CHOOSE YOUR **BASE**



2 CHOOSE YOUR **ARM**



3 CHOOSE YOUR **BACK**



COMMON DIMENSIONS:
SEAT HEIGHT.....20"

Fabric sofas come standard with one pair of 20" style #13 pillows. Leather is not standard with pillows. Please refer to the price list for details.



NOTE: Style code examples with an x represent the possibility for multiple choices in the style codes shown. For example, base choices do not affect dimensions and are represented with an x in the diagram 5x32-53.

For more information, visit www.smithbrothersfurniture.com.